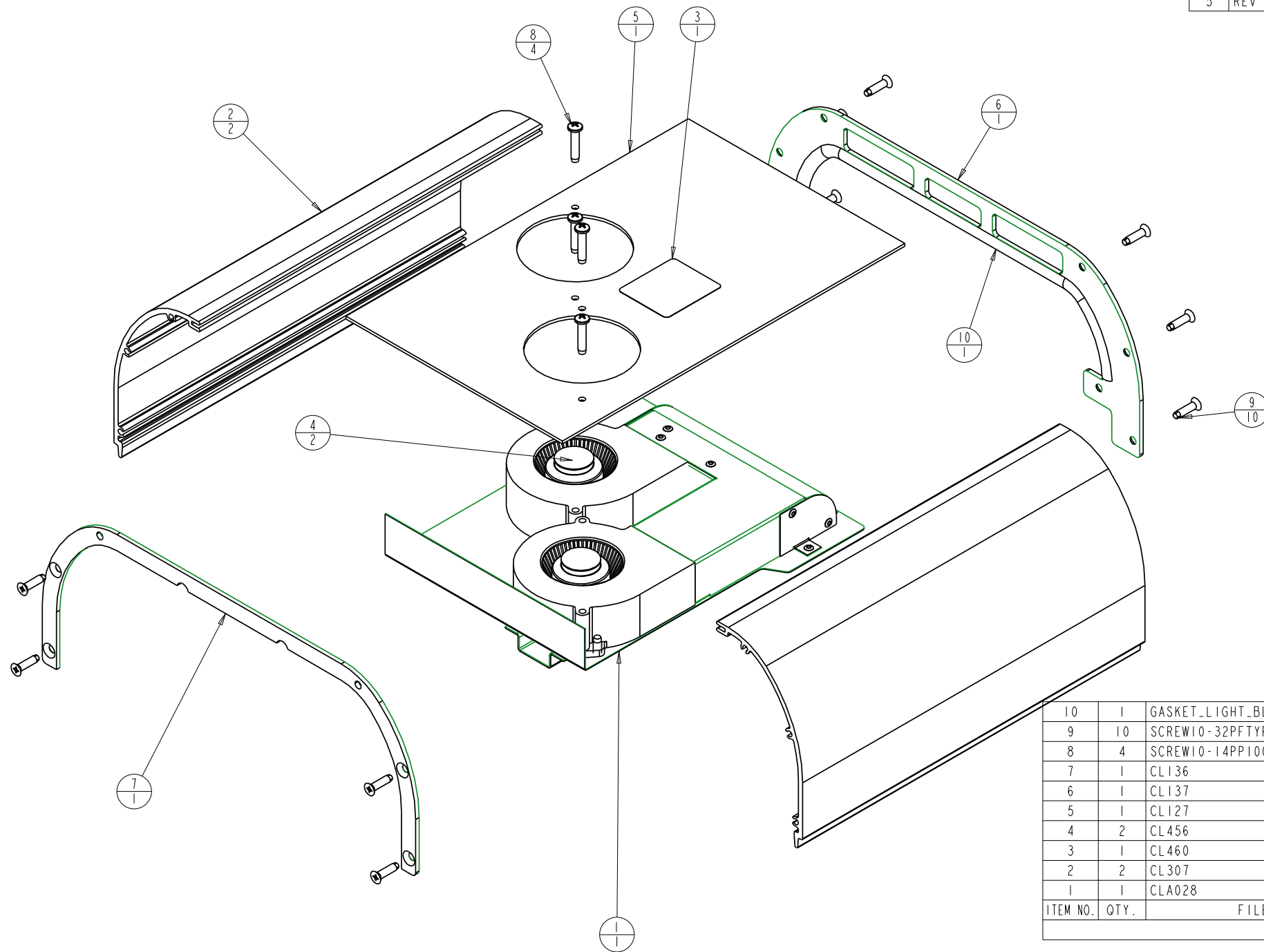


REV.	DESCRIPTION	DATE	ENG	ECO #	APPR
1	CREATE DRAWING	23JUN09	PP		
2	REMOVE 4X 90709207, ADD 4X 90709204	20AUG09	PP		
3	REV TO ITEM 6, ADD EDGE GUARD 99330181 AS REQUIRED	22AUG09	PP		
4	REV CHANGE TO ITEMS 6 & 7	02NOV09	PP		
5	REV CHANGE TO ITEM 1	18NOV09	PP		



ITEM NO.	QTY.	FILENAME	PART NO.	REV	DESCRIPTION
10	1	GASKET_LIGHT_BLOCK_CLA032	99330181		TRIM, EDGE GUARD, RUBBER
9	10	SCREW10-32PFTYPEF750	90711018	.	SCREW, 10-32 PHIL FLAT 3/4 F TYPE BZ
8	4	SCREW10-14PPI000BTYP-SBZ	90709204	.	SCREW, #10 PHIL PAN 1.00"L B TYPE S BZ
7	1	CL136	80070550	A	PLT, END CAP, CVR, REAR
6	1	CL137	80070551	B	PLT, END CAP, BLWR CVR, FRONT
5	1	CL127	80070547	-	PLT, BLWR MNT, LAMP COOLING
4	2	CL456	99310527	-	LABEL, FAN CENTER
3	1	CL460	99310538	-	LABEL, BLOWER, CAUTION
2	2	CL307	80070555	-	EXTR, CVR, LAMP BLWR, MACHINED
1	1	CLA028	INTERNAL	5	BLOWER SUB ASSEMBLY, LAMP COOLING

UNLESS OTHERWISE SPECIFIED DIMENSIONAL TOLERANCES: 0 PLACE DECIMAL = ±0.38 1 PLACE DECIMAL = ±0.25 2 PLACE DECIMALS = ±0.13 ANGLES = ±0.5°	RELEASE DATE: ENG: ME: MFG:	CE: QA: DRW:	High End 2105 GRACY FARMS LANE AUSTIN, TEXAS 78758 (512) 836-2242 FAX (512) 832-4128 <a href="http://www.highend.com">http://www.highend.com</a>	LR LIGHTWAVE RESEARCH
FOR PAINTED PARTS REFER TO ENG. SPEC. MANUAL W1-0592	DESCRIPTION: COVER, REAR, FAN ASSEMBLY		FINISH: NA	
ALL COMPONENTS, MATERIALS AND FINISHES TO BE RoHS COMPLIANT	MATERIAL: CHARTED		DRAWING NO. INTERNAL CLA032	
MIN. DRAFT	INTERPRET DIMENSIONS PER ASME Y14.5M-1994	SI METRIC A1	PART NO. INTERNAL	REV. 5
MIN. RADI	THIRD ANGLE PROJECTION	DO NOT SCALE	SCALE: 0.500	SHEET: 1 OF 1
FLATNESS	DIMENSIONS ARE IN MILLIMETERS			
THICKNESS				
VOLUME				

**PROPRIETARY NOTICE:**  
THIS DOCUMENT CONTAINS CONFIDENTIAL AND PROPRIETARY INFORMATION OF HIGH END SYSTEMS INC., (ALSO DBA LIGHTWAVE RESEARCH) AND IS GIVEN TO THE RECEIVER IN CONFIDENCE. THE RECEIVER ACCEPTS AND AGREES THAT, EXCEPT AS AUTHORIZED BY HIGH END SYSTEMS, THE RECEIVER WILL NOT PERMIT THE USE OF THE DOCUMENT OR ANY COPY THEREOF OR THE INFORMATION THEREIN, WILL NOT COPY OR PERMIT COPYING THE DOCUMENT WILL NOT DISCLOSE TO OTHERS EITHER THE DOCUMENT OR THE INFORMATION THEREIN, AND WILL UPON COMPLETION OF THE NEED TO RETAIN THE DOCUMENT, OR UPON DEMAND, RETURN THE DOCUMENT WITHOUT RETAINING ANY OF THE INFORMATION CONTAINED THEREIN IN ANY FORM WHATSOEVER.